



**SPSKI070**

Design by Manuel Vivian

Collection consisting of ceiling lamps and suspended lamps. The lampshade is covered with flame-retardant eco-leather. Available in several colours and sizes. Radial diffuser in extra smooth flame retardant pongé fabric (Glow wire 960 °C)..

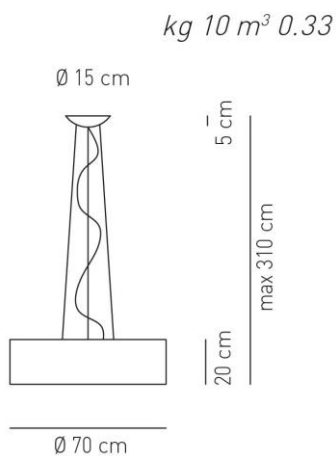
Typology: SUSPENDED

**Ratings**

- E27
- Downlight and uplight
- Surface installation over holes
- Supply voltage ~220-240V
- Switch mode: on-off
- Steel frame

Product code composition

**SKIN** / con illuminazione verso alto e basso / with upward and downward lighting



Type	Article	Colours (lampshade)	Colours (radial diffuser)	Source
SP	SKI 070 E27	BC white	BC white	E27 4 x Max 16W LED or 4 x Max 20W fluo
		BA ivory white	BW warm white	
		MA brown		
		NE matt black		

CE IP20 +LED 220-240VAC

example composition code SP SKI070E27 MA BW

**Lampshade**

Eco-leather: 87% PVC + 13% polyester / Flame retardant (UNI 9175 - UNI 9175/FA1) class 1|M / Weight 550 ± 5% gr/m<sup>2</sup> / Abrasion resistance (Martindale) 25.600 ± 10% rubs / Glow wire 960 °C.

Available colors



SPSKI070E27\_ \_ \_ \_ \_      CUSTOMER \_\_\_\_\_      NOTES \_\_\_\_\_

**NOTICE:**  
Luminous flux (lm) and efficacy (lm/W) for all LED luminaires is based on nominal ratings of the LED sources.  
Technical data could be subject to alteration without notice. Axo Light does not provide legal guarantee for the accuracy of this data sheet.